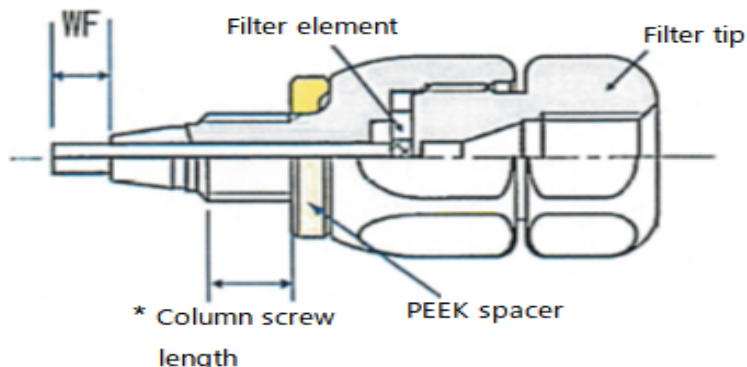


Develosil Guard Filter

Part No. : GF28126

Ferrule length =
column depth



Even if the ferrule tip is the same, the length of the column screw differs depending on the manufacturer.

It may not reach a spacer but a crevice may be vacant

【Bolting procedure】

• Connection between column and guard filter

1. Interconnection with WF interconnection column

Please carry out the wrench bundle of the about 30° from the location fastened with the finger bundle.

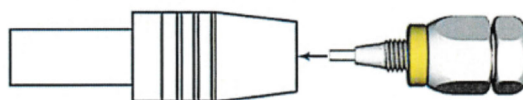
2. CONNECTING WITH OTHER COLUMNS

When the spacer is removed:

Please carry out the wrench bundle of the about 15° after a finger bundle.

※When there is no crevice between it and an after a finger bundle spacer

There is a possibility that the screw-thread depth is special.



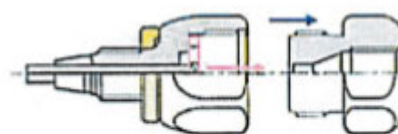
Attention: Please fasten too much and be careful.

Tightening beyond the point where the ferrule hits the column taper and increases the torque can break the screw.

• How to fasten the cap after filter replacement

1. remove and carry out filter replacement of the filter cap.

2. After replacement, tighten the cap approximately 180° from the finger (the position where the cap touches the resin lightly).



Part No. GF28155

Replacement filter (3/pk)

Inquiry and Order

NOMURA CHEMICAL Co.,LTD

15, Hinode-cho, Seto, Aichi, 4890004, Japan

Email: info@develosil.net

Web: <https://www.develosil.net/en/>

<https://develosil.us/>